



B&C
Technologies



PROFESSIONAL HARDMOUNT

HP FAMILY

65 - 125
Pound Capacity

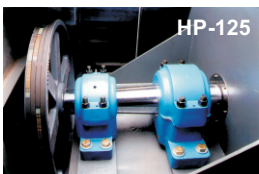
The HP Family

Hardmount High-Speed Professional Washer-Extractors for Small to Medium Sized Heavy-Duty On-Premise Laundry Applications, Including Healthcare, Hospitality, Corrections, Athletic, Carwash, Agriculture, and Dry Cleaners / Wet Cleaners

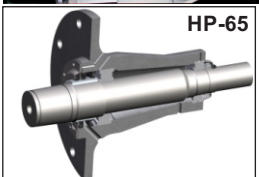
The HP Family is designed to be effortless and powerful while maintaining low cost of ownership. Your investment cost is quickly returned through the increased efficiency of a high speed extract hardmount washer. A simple design means fewer parts which in turn means less down time for the machine. With a 300G extract force (HP-65) goods spend less time in the drier which leads to increased savings and less wear and tear on goods. This low maintenance, long lasting machine saves you time and money.

Solid Bearing Housing - High Quality Bearings and Seals

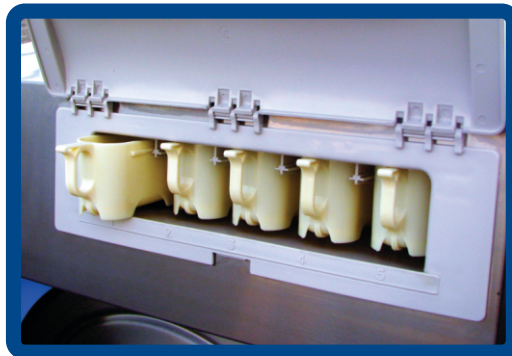
The ultimate in commercial washer bearing design is found on the HP Family from B&C Technologies. The life of the bearings is extended through the use of the revolutionary CARB bearings and double lip seals and a face seal offer extra protection. A large leak off area is provided to further protect the bearings from wash solution. The HP-125 features a robust pillow block design for long life.



HP-125



HP-65

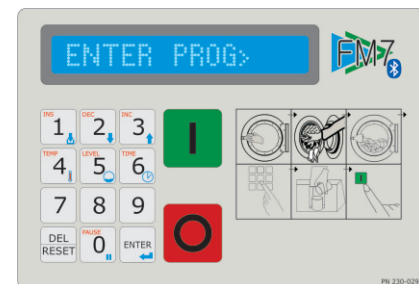


Supply Dispenser

The supply dispenser on the HP Family is located at a convenient height for easy access and has automatic flushing for ease of use. It's built to take daily wear and tear and is impervious to standard laundry chemicals. Easily adaptable with either the standard one cup or optional five cup and six liquid connections on the rear of the machine. The HP-125 features a 5 cup supply compartment as standard.

The FM7 Advanced Microprocessor Control

The FM7 control allows complete flexibility while being trouble free and easy to use. It accepts programming via Bluetooth® and offers eight chemical signals plus chemical hold. Our easy to use WashTools™ Android application makes programming easy. With 30 wash programs and programmable water levels and speeds, the FM7 is designed to suit the most demanding needs.



Large Door Opening-Safe Door Interlock

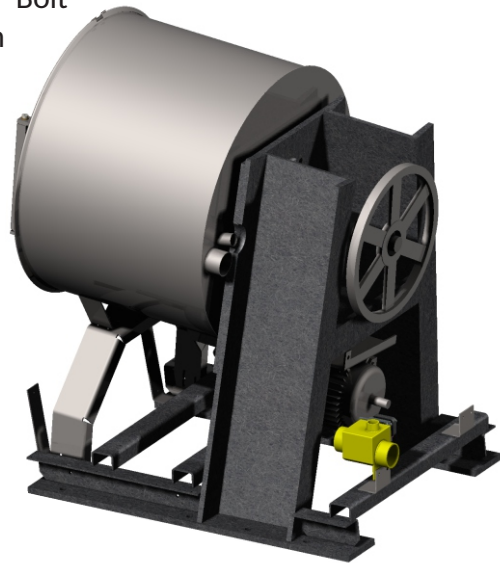
Loading and unloading laundry is much easier and faster with a door that opens nearly 180 degrees. To help protect your investment the door and hinge are made with 304 stainless steel and has a lifetime silicon door gasket for a leakproof seal. The door lock system is both safe and simple to operate.



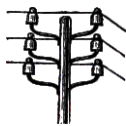
Hardmount Construction

The HP Family features a highly engineered, robust, and solidly welded steel frame built to withstand the rigorous demands of continuous operation. Bolt holes are located both on the inside and outside, allowing for side by side installation.

Installation is fast and easy and integrated lifting bars allow the machine to be effortlessly moved with a pallet jack (HP-65).



Modern Design Saves Money and the Environment



Save Electricity

The HP Family washer uses the most technologically advanced frequency inverter available today which offers an improvement of over 30% compared to multi-motor and other line started motors used on older or less advanced machines. The 300G extract force (HP-65) removes significantly more water than older, outdated machines as well, reducing drying times saving you money on natural gas, time, plus reducing wear on your goods.



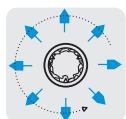
Wetclean Ready and Capable

The HP Family washer is perfect for wetcleaning. Completely flexible programming provides the most gentle wash actions without compromise, allowing the machine to handle water washing as well as regular laundry by simply running a different program. A dedicated wetcleaning machine is not needed as the HP competently handles both duties, especially when equipped with optional spray rinse.



Save Water

Our modern world has produced a host of new technologies to make life easier - your laundry facility can now benefit from these same innovations. The FM7 allows control over the water levels in the machine within one half of an inch, allowing the water level to be dialed in precisely for each wash program step. No more compromising with only 2 or 3 wasteful water levels.



More Savings Through Precision Programming

The flexible FM7 control allows additional water savings through precision programming. It is possible to program a diluting extract, which increases the effectiveness of the rinse steps and eliminates the need for extra rinsing. By eliminating water, wash chemicals and soils in this manner, as many as 2 rinses can be replaced and up to 10 minutes can be saved. Water consumption per cycle can be reduced by almost 1/2 gallon per pound of wash capacity. For example, an HP-125 washer programmed in this manner can expect to save over 60 gallons per wash program.

Specifications

MODEL	Units		HP-65		HP-125	
	Metric	US				
CAPACITY:						
	kg	lbs	29.5	65	56.8	125
OVERALL DIMENSIONS:						
A - Width	mm	in	879	34.6	1295	51.0
B - Depth	mm	in	1194	47.0	1554	61.2
C - Height	mm	in	1651	65.0	1669	65.7
WEIGHT AND SHIPPING INFORMATION:						
Net weight	kg	lbs	582	1280	1489	3275
Domestic shipping weight	kg	lbs	618	1360	1505	3310
CYLINDER INFORMATION:						
Diameter	mm	in	790	31.1	1067	42
Depth	mm	in	560	22	610	24
Volume	liters	cu ft	274	9.7	540	19
CYLINDER SPEEDS:						
Wash	G	rpm	0.8	42	0.8	37
Distribution	G	rpm	2	67	3	71
Intermediate extract	G	rpm	150	583	50	290
High extract 1	G	rpm	200	673	100	410
High extract 2	G	rpm	250	753	150	502
High extract 3	G	rpm	300	825	200	579
DOOR OPENING AND HEIGHT:						
Diameter	mm	in	450	17.7	508	20
Height of door bottom above floor	mm	in	635	25	400	28
DRIVE INFORMATION:						
Number of motors	Number		1		1	
Size of motor	kW	Hp	3.7	5	7.5	10
WATER INLETS						
Hot water size	NPT		3/4		1	
Cold water size	NPT		3/4		1	
Additional water inlet	NPT		3/4		1	
DRAIN OUTLETS AND CAPACITY:						
Number of drains	Number		1		1	
Drain size	mm	in	76.2	3	76.2	3
STEAM INLET:						
Steam inlet size	NPT		1/2		1	
ELECTRICAL SERVICE:						
208-230VAC, 50/60Hz, 1PH	Amps	Breaker	14	15	n/a	n/a
208-230VAC, 50/60Hz, 3PH	Amps	Breaker	8	15	32	40
380-460VAC, 50/60Hz, 3PH	Amps	Breaker	4	15	16	20
208-230VAC, 50/60Hz, 3PH, Elec. Heat	Amps	Breaker	52	60	n/a	n/a
380-460VAC, 50/60Hz, 3PH, Elec. Heat	Amps	Breaker	26	30	n/a	n/a

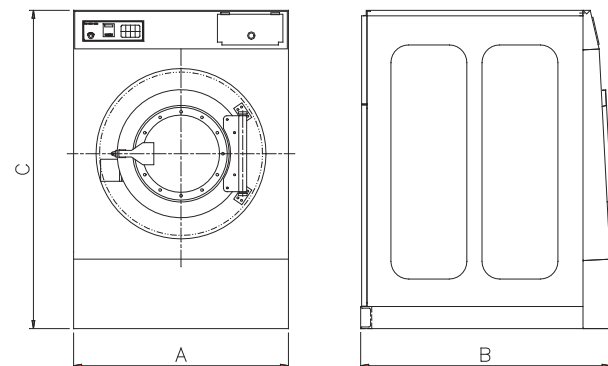
Specifications subject to change without notice

Standard Features:

- ◆ All wetted parts are 304 (18/8) stainless steel
- ◆ 1 compartment supply dispenser (HP-65)
- ◆ 5 compartment supply dispenser (HP-125)
- ◆ 30 cycle microprocessor
- ◆ 300G extraction force (HP-65)
- ◆ 200G extraction force (HP-125)
- ◆ 5 degree lean back for strength and easier loading
- ◆ Built in vacuum breaker
- ◆ Variable speed inverter drive
- ◆ Wetcleaning functionality built in - no special options required

Optional Features:

- ◆ 5 compartment supply dispenser (HP-65)
- ◆ Extra water inlet
- ◆ Extra drain
- ◆ Steam heating
- ◆ Electric heating
- ◆ Through the door spray rinse



B&C Technologies
Panama City Beach, FL
850-249-2222
www.bandctech.com
sales@bandctech.com

60/36 Warranty

60 Months: Bearings, Bearing Housing, Frame, Shaft, Cylinder & Shell
36 Months: All other non wear parts

