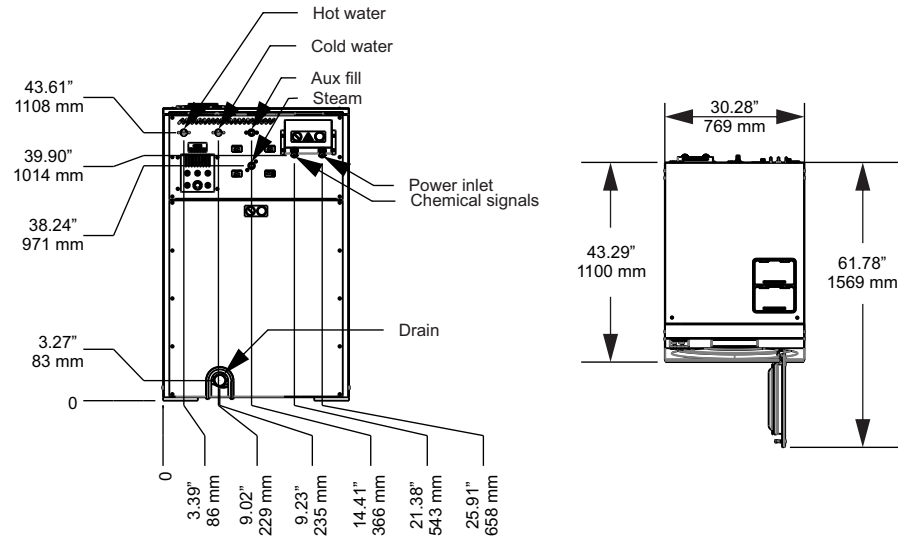
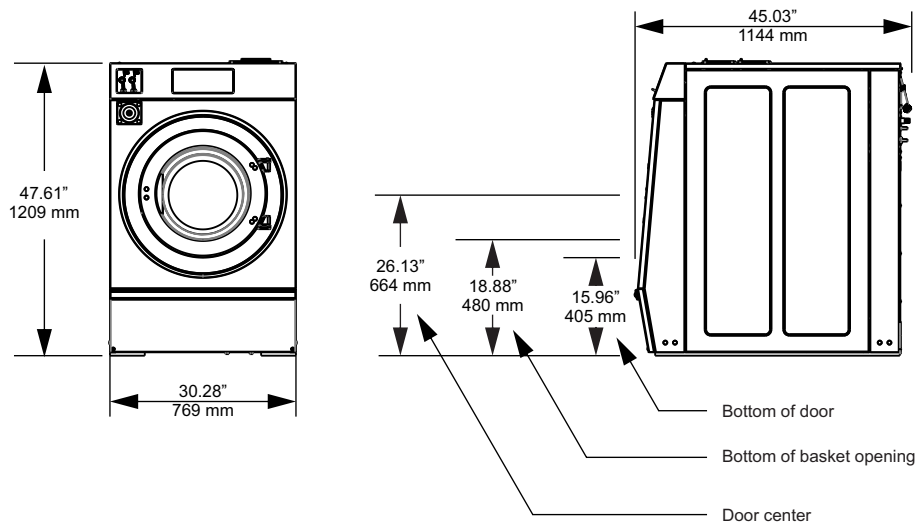


A



Electrical Requirements

Voltage	Phase	System Wire	Amps	Breaker
208-240VAC, 50/60Hz, 1PH	1	2 + GND	8.1	15
208-240VAC, 50/60Hz, 3PH	3	3 + GND	4.7	15
380-460VAC, 50/60Hz, 3PH	3	3 + GND	2.3	15
208-240VAC, 50/60Hz, 3PH Elec. Heat	3	3 + GND	48	60
380-460VAC, 50/60Hz, 3PH Elec. Heat	3	3 + GND	24	30

Drain Requirements

Connection Size		Discharge Rate		Min Sewer Line	
inches	mm	gal/min	liters/min	inches	mm
3	76	42	246	3	76

Water Requirements

Water						Flow Rate (@45PSI/3Bar)		Minimum Supply Line Size		Max Operating Pressure	
Connection Size		Line Pressure		Max Temp		gal/min	liter/min	US	Metric	US	Metric
US	Metric	PSI	Bar	F	C						
3/4"	DN 19	30-75	2-5	200	93	11	40	3/4	DN 19	125 PSI	8 Bar

Steam Requirements

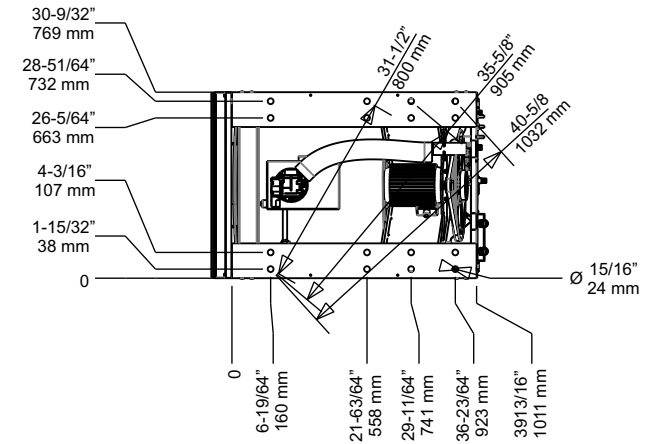
Steam				Minimum Supply		Max Operating	
Connection Size		Line Pressure		Line Size		Pressure	
US	Metric	PSI	Bar	US	Metric	US	Metric
1/2"	DN 12	30-75	2-5	1/2"	DN 12	100 PSI	6 Bar

Dynamic Load Specifications

Static Load		Dynamic Load		200G	400G
lbs	kN	lbs	kN	Dynamic Frequency	Dynamic Frequency
				Hz	Hz
1079	4.8	3799	6.9	12.1	17.1


Shipping Data

Type	lbs	kg	cu ft	cu m
Domestic	760	345	49.4	1.4
Export	795	361	49.4	1.4



MOUNTING BOLT DETAIL

Foundation details are in the HX Series Installation & Operation Manual

REV	BY	DATE	REV. DESCRIPTION
A1	AFA	8-11-2022	Created
DRAWN BY		DATE	 Panama City Beach, FL Phone: 850-249-2222 Fax: 850-249-2226 www.bandctech.com
A. Adcock		8-11-2022	
CHECKED BY		DATE	
P. Noblitt		8-11-2022	
DESCRIPTION			
General Technical Specifications HX-50			
DATE	FILE NAME	SHEET	
8-11-2022	HX-50GenSpec.cdr	1 OF 1	