

Electrical Requirements

Voltage	Phase	System Wire	Amps	Breaker
208-240VAC, 50/60Hz, 1PH	1	2 + GND	8.8	15
208-240VAC, 50/60Hz, 3PH	3	3 + GND	5.1	15
380-460VAC, 50/60Hz, 3PH	3	3 + GND	2.5	15
208-240VAC, 50/60Hz, 3PH Elec. Heat	3	3 + GND	52	60
380-460VAC, 50/60Hz, 3PH Elec. Heat	3	3 + GND	26	30

Drain Requirements

Connection Size		Discharge Rate		Min Sewer Line	
inches	mm	gal/min	liters/min	inches	mm
3	76	62	235	4	102

Water Requirements

Water						Flow Rate (@45PSI/3Bar)		Minimum Supply Line Size		Max Operating Pressure	
Connection Size		Line Pressure		Max Temp		gal/min	liter/min	US	Metric	US	Metric
US	Metric	PSI	Bar	F	C						
3/4"	DN 19	30-75	2-5	200	93	11	40	1	DN 25	125 PSI	8 Bar

Steam Requirements

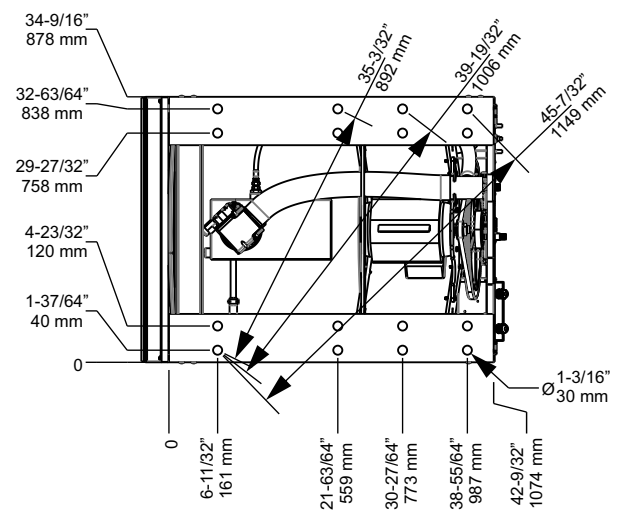
Steam				Minimum Supply		Max Operating	
Connection Size		Line Pressure		Line Size		Pressure	
US	Metric	PSI	Bar	US	Metric	US	Metric
1/2"	DN 12	30-75	2-5	1/2"	DN 12	100 PSI	6 Bar

Dynamic Load Specifications

Static Load		Dynamic Load		200G Dynamic Frequency	400G Dynamic Frequency
lbs	kN	lbs	kN	Hz	Hz
1344	5.98	5375	23.9	11.2	15.8


Shipping Data

Type	lbs	kg	cu ft	cu m
Domestic	944	429	65.3	1.8
Export	990	450	65.3	1.8



MOUNTING BOLT DETAIL

Foundation details are in the HX Series Installation & Operation Manual

REV A1	BY AFA	DATE 8-11-2022	REV. DESCRIPTION Created
DRAWN BY A. Adcock		DATE 8-11-2022	 Panama City Beach, FL Phone: 850-249-2222 Fax: 850-249-2226 www.bandctech.com
CHECKED BY P. Noblit		DATE 8-11-2022	
DESCRIPTION General Technical Specifications HX-65			
DATE 8-11-2022	FILE NAME HX-65GenSpec.cdr	SHEET 1 OF 1	